

展开尺寸	400X130MM
成型尺寸	200X130MM
材质要求	80G书写纸
印刷要求	单黑印刷
工艺要求	对折
页码数(页)	4页(成型)

F&D 奋达科技		时 间	20121227	订 单 号	FE12262
品 牌	F&D	公司型号	R223	客户型号	R223
版 本	A0	设计内容	说明书	料 号	17.7.030.0213
电 子 软 件		结 构 电 声		PLM文档编号	
设计者	周霞	标 准 化		项 目 经 理 产 品 经 理	
复 核		业 务		核 准	

Limited warranty

The enclosed materials are provided «as is» without warranty of any kind, either expressed or implied, including but not limited to the implied warranties of merchant ability and fitness for a particular purpose. The entire risk as to quality and performance of the system and enclosed material is assumed by you

SAFETY PRECAUTIONS

- Do not allow AS wire connecting (including grounded ones), AS wire and amplifier package connecting, AS wire connecting to ground, as this may cause amplifier output stages damage.
- Never push objects of any kind (needles, hair-pins, coins, insects) into this system.
- Do not put the system in damp circumstances, prevent from ingress of moisture and dust. (Do not place flower vases and other objects on the system).
- Prevent AS from heating. (Do not install AS near heat sources and prevent it from direct sunlight).
- Do not use petrol, alcohol and other solvents when cleaning, as they may damage stained surface. Clean only with dry soft cloth.
- In order to avoid electric shock and other accidents, never open the back cover for repair without any professional guidance.
- If AS do not operate, unplug it and refer to service personnel.

Notes:

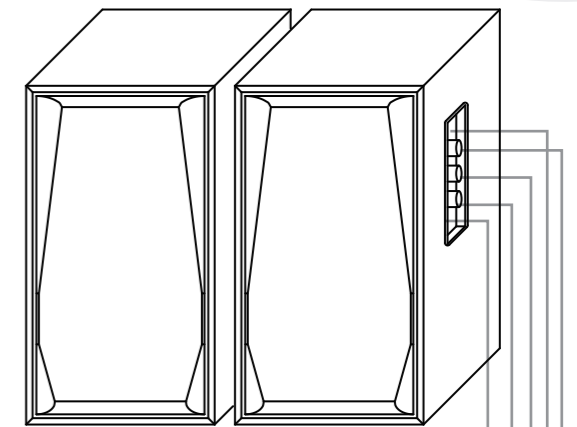
The specifications may be changed without preliminary notice.

2.0 Wooden Speaker

2.0

R223

- Easy access controls on the side panel, headphone out for private listening
- Silk dome tweeter provides extreme details, feels like live music
- Hand crafted front panel design using special cutting tools



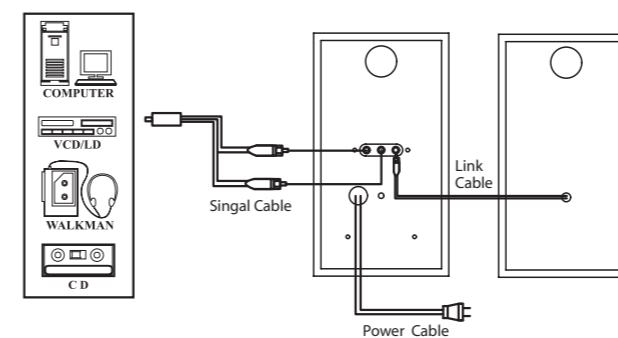
- Power LED
- Volume Knob
- Treble Knob
- Bass Knob
- Headphone

Locating

- Place the speakers symmetrically to the listeners to the distance not less than one metre.
- Port tube is located at the back panel of the speaker cabinet, please locate it about 20—30 cm from the wall or other object.
- Place AS far away from TV sets as picture distortion in supersensitive monitors and TV sets is possible.

Installation and operation guide

- Before connecting be sure that all components are switched off.
- Connect speakers with the link cable.
- 3.5mm audio jack of the signal cable into the output of the PC soundcard, VCD output, CD one and so on. Then connect RCA jack of the signal cable into master speaker output (match the colours).
- Plug connector to power socket.
- Adjust the volume knobs to the minimum; revolve the power button on the side of the master speaker.
- Adjust the volume knob to the necessary volume.
- Adjust TREBLE and BASS knobs to desired level.



(Figure)

Package contents

- Acoustic speakers -----2 pcs
- Signal cable -----1 pc
- Operation Manual -----1 pc

Specification

- Output power -----2 x 18W
- Voltage supply ----- 220-240V AC 50/60Hz
- Speaker units
 - woofer ----- 4"
 - tweeter ----- 1.0"
- Impedance ----- 40hm
- Magnetic shielding ----- yes
- Frequency Response -----25Hz~20KHz
- Dimensions -----W378xD240xH312mm
- Weight -----5.3kg